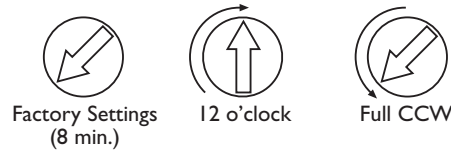


**TIMER TEST MODE (8 seconds)**

- 1) Open the retainer ring.
- 2) Rotate the black timer adjustment knob to midway (12 o'clock)
- 3) Return setting to minimum setting (full CCW)



4) The timer will remain in the 8 second test mode for 1 hour, then automatically reset to 8 minutes.

5) To manually take the timer out of the 8 second test mode, turn the timer adjustment approximately 1/16" clockwise to make the setting slightly above minimum (just above the 8 minute setting).

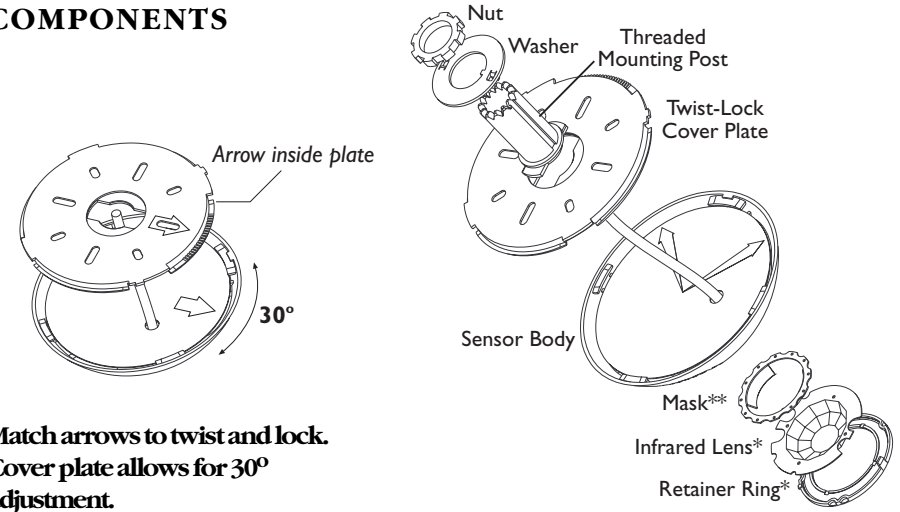
**TROUBLESHOOTING**

Problem	Possible Cause	Test	Result
Lights stay on	Air conditioning interference	Reduce both green and red knobs by 15%	Move sensor Temporarily reduce sensitivity
Lights stay off	Bad low voltage wiring	Connect red to blue wire at power pack	Force lights on
Lights stay off	Bad high voltage wiring	Connect red to red (relay wires)	Force lights on
Lights on too long	Timer setting too high	Check switch settings	Typical setting is 8 minutes
Hallway traffic turns lights on	Sensor can "see" into hallway	Put in timer test mode walk hallway	Move sensor

**WIRE LENGTH CHART**

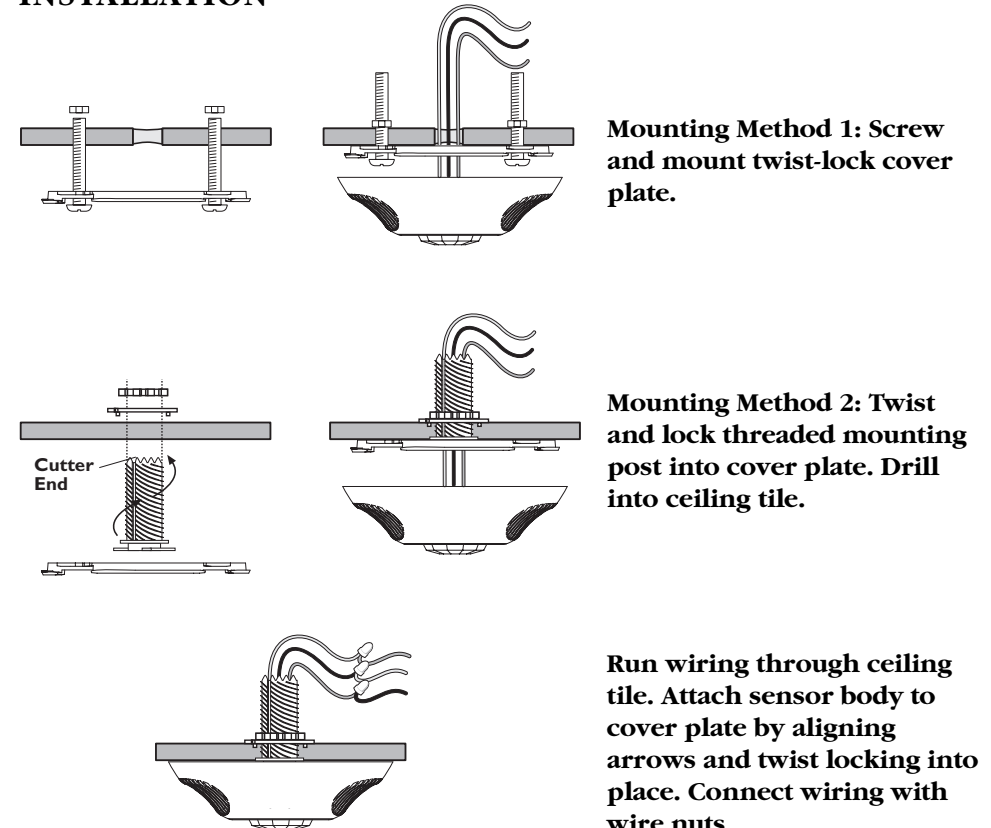
# Sensors # Slaves	1 0	2 0	3 0	1 1	2 1	1 2
22 AWG	750'	375'	250'	375'	250'	250'
20 AWG	1200'	600'	400'	600'	400'	400'
18 AWG	2400'	1200'	800'	1200'	800'	800'

**COMPONENTS**



**Match arrows to twist and lock. Cover plate allows for 30° adjustment.**

**INSTALLATION**

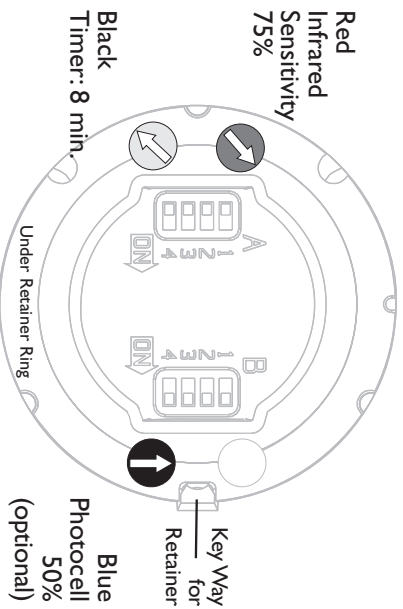


**Mounting Method 1: Screw and mount twist-lock cover plate.**

**Mounting Method 2: Twist and lock threaded mounting post into cover plate. Drill into ceiling tile.**

**Run wiring through ceiling tile. Attach sensor body to cover plate by aligning arrows and twist locking into place. Connect wiring with wire nuts.**

**FACTORY SETTINGS**

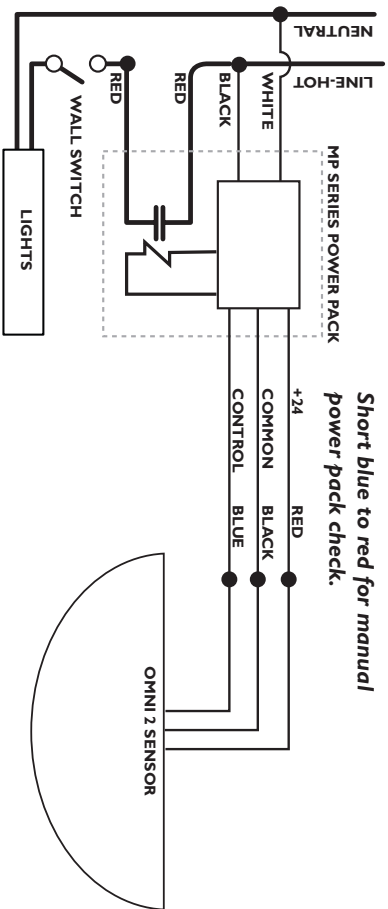


*Recommendation: Factory settings shown, leave as adjusted.  
Note: See -RP option instructions for use of photocell.*

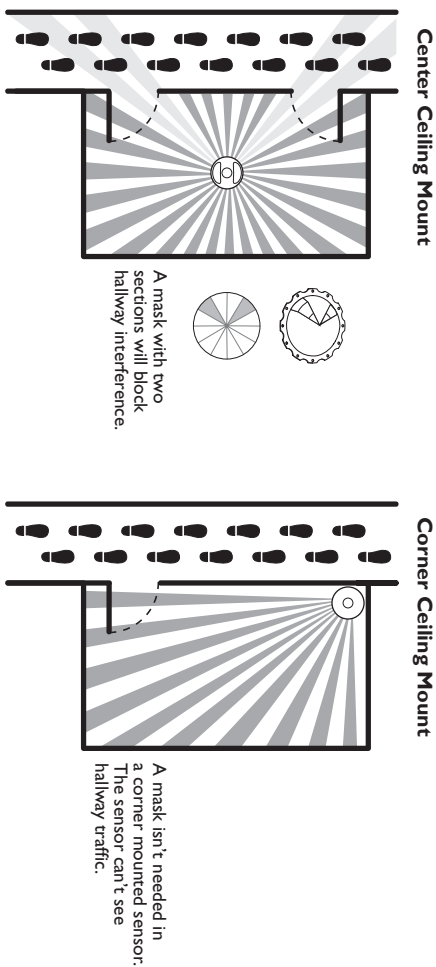
**MANUAL SETTINGS**

<b>Bank A</b>	<b>Off</b>	<b>On</b>
Auto/Manual Threshold	Automatic (Normal)	Manual On (Override)
LED Motion Indicator	Auto Threshold Adjustment	High Sensitivity (Low turn on threshold)
Reset learned Settings	Lights indicate motion	Disable LED Indicator
	Retain Settings (Normal)	Erase All Learned Settings, Restart Learning (Toggle on)
<b>Bank B</b>	<b>Off</b>	<b>On</b>
Not Used	Not Used	Not Used
Not Used	Not Used	Not Used
Timer Adjust	Adjust Timer Automatically	Use Manual Timer Setting (No adjustment)
Auto Sensitivity	Adjust Timer Manually	Adjust Timer Manually

**WIRING**

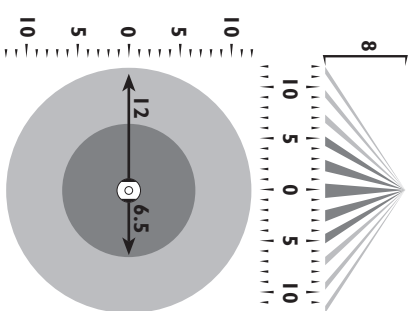


**USING THE INFRARED MASK**



**RANGE**

Infrared and Acoustic



■ Minor Motion  
■ Major Motion  
Units=Ft.

