

HBAWASP₂ Fluorescent High Bay Occupancy Sensor Lens

Installation Instructions

Hubbell Building Automation

9601 Dessau Road • Building One • Suite 100 • Austin, TX 78754
 Toll Free: 888-698-3242 • Fax: 512-450-1215
 www.hubbell-automation.com

PRODUCT CONFIGURATIONS

Lens Model	Coverage	Options
WSPLENS	360 360° pattern	LTWT Low Temp/Water Tight (LTWT Sensor Required)
	AISLE Aisle pattern	
	HALF 180° pattern	
Example:		
- WSPLENS360 – Wasp Sensor Lens, 360° area of coverage		

LENS SPECIFICATIONS

- Coverage: Lens: 1.4:1 coverage up to 30ft., 1.1:1 coverage from 30 – 45ft. Example: 30ft mounting x 1.4 = 42ft radius

SENSOR LENS INSTALLATION / REMOVAL

1. To attach lens: Place lens assembly flush onto sensor module and rotate clockwise approximately five degrees to lock into place (See Figure 1). Lens may be installed on sensor module rotated ninety degrees (See Figures 3 and 4).
2. To remove lens: Rotate lens assembly counter clockwise approximately five degrees and lift off.

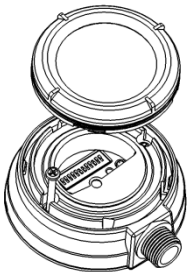


Figure 1 – Lens installation

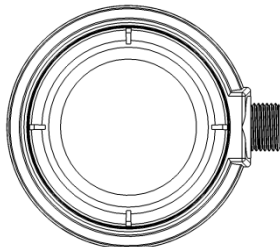


Figure 2 – 360 lens

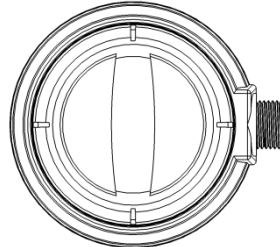


Figure 3 – Aisle lens installed 90°

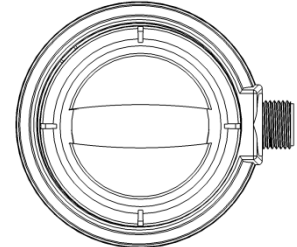


Figure 4 – Aisle lens installed 180°

SENSOR RANGE COVERAGE PATTERNS (When Mounted 30ft and 45ft)

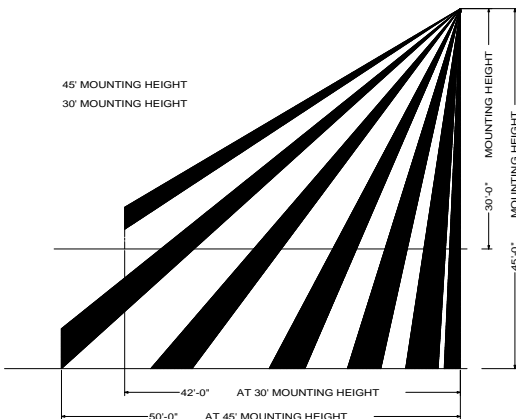


Figure 5 – Side View of Lens Coverage Pattern

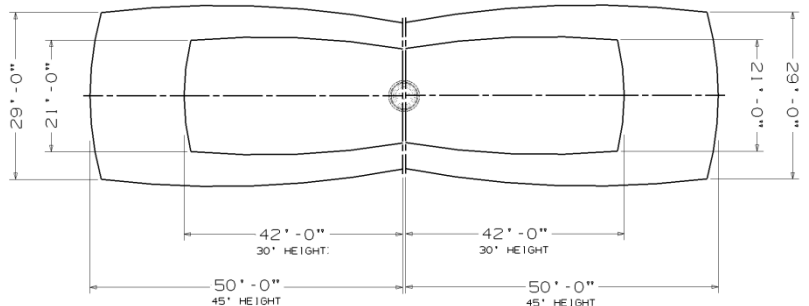


Figure 6 – Top View of Aisle Lens