



LX Series Networked Lighting Controls

Lighting Control Panels 4, 8, 16, 32 and 48 Relays

KEY FEATURES

- Unique handheld touchscreen graphical user interface (GUI) (Order Separately)
- Robust and reliable 20 Amp mechanically latching relays
- Multiple size enclosures available (4, 8, 16, 32, and 48 relays)
- Topology-free, polarity-insensitive, 2-wire communication
- LonMark® certified
- Feature-rich scheduling functions
- 365-day time clock
- Automatic Daylight Savings Time and leap year compensation
- Built-in astronomical time clock for sunrise and sunset programming
- UL listed

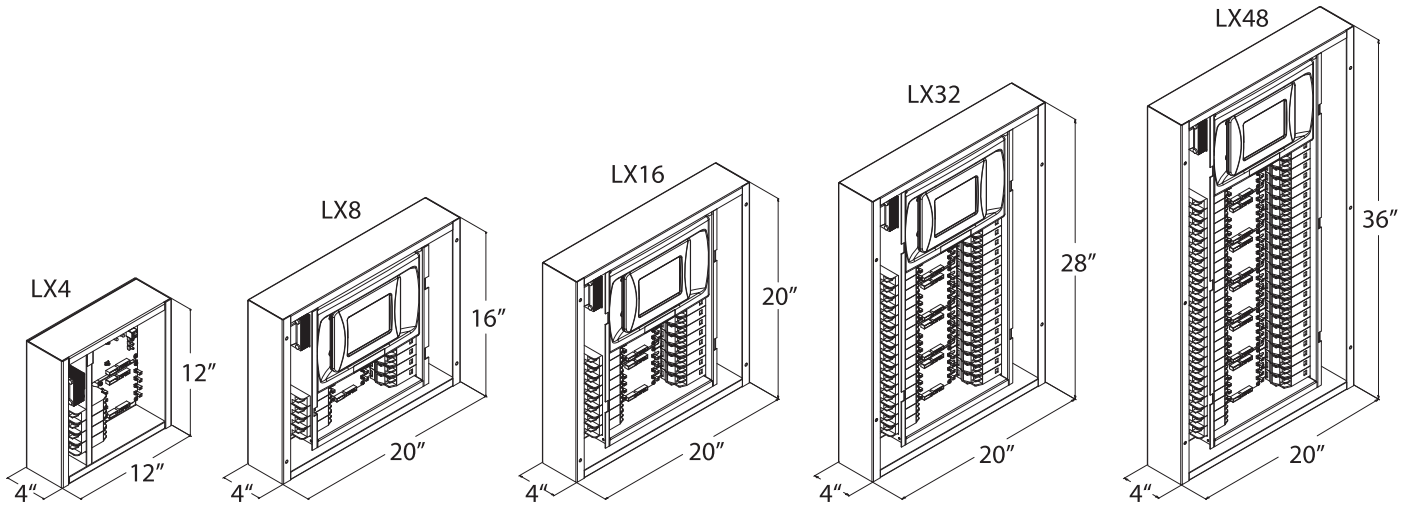


OVERVIEW

If it were any easier, it would program itself. The LX Lighting Control Panels provide the ultimate in harmony of technology and simplicity. Capable, functional lighting control systems don't have to be difficult to use or install.

SPECIFICATIONS

Programming and configuration	• Programmable via the LX Touch Tablet or LX JENEsys™
Physical	<ul style="list-style-type: none"> • NEMA 1 enclosure—designed for quick and easy installation • Pre-drilled mounting holes for easy mounting either to the uni-strut framing or directly to wall, KO's provided on top and bottom • Removable sub panel • 4, 8, 16, 32, and 48 relay enclosures with hinged locking door
Electrical	<ul style="list-style-type: none"> • 120/277/347 VAC multi-tap transformer • 120, 277, and 347 VAC 20 Amp Single Pole Relays • 208, 240, and 480 VAC 20 Amp Double Pole Relays
Operating environment	<ul style="list-style-type: none"> • Location: interior space • Operating temperature: 0°–50°C (32°–112°F) • Relative humidity (non-condensing): 10%–90%
Certifications	<ul style="list-style-type: none"> • UL and cUL listed (UL 508 and UL 924) • LonMark 3.3 Certified
Warranty	• Five years



DIMENSIONAL INFORMATION

Touch Screen Tablet Graphic User Interface (GUI) Order Separately (Typical)

ORDERING INFORMATION

LXIN			
MODEL	RELAY CAPACITY	NUMBER OF SINGLE POLE RELAYS	NUMBER OF DOUBLE POLE RELAYS
LXIN LX Relay Panel Interiors	4 8 16 32 48	00-48* (Depending on Size)	00-24* (Depending on Size)

*NOTE: Number of poles cannot exceed the relay panel size.
Example: A LX Series Relay Panel is comprised of 2 separate part numbers, 1 for the interior and 1 for the enclosure — they must be the same size.

EXAMPLE:
32 Relay Interior with 4 Single Pole Relays and 4 Double Pole Relays: LXIN32 04 04
Enclosure to complete specifications - LXEN325

LXEN		
MODEL	SIZE	TRIM
LXEN LX Relay Panel Enclosure	4 8 16 32 48	F Flush S Surface



Hubbell Building Automation, Inc.
9601 Dessau Road | Building One | Austin, Texas 78754
{512} 450-1100 | {512} 450-1215 fax
hubbell-automation.com