



LX Series – Networked Lighting Controls

LX Power Supply

KEY FEATURES

- Universal AC input 120 VAC (100–240V); line and neutral single phase only
- DIN rail mountable: TS35/7.5; TS35/15
- Protection: short circuit, overload, and overvoltage
- LED indicator for power on
- UL listed

OVERVIEW

Hubbell Building Automation’s LX Power Supply provides power to free topology(FT)-based LX Series devices. The 30W, single-output, Class 2, DIN rail power supply can power LX switch stations, LX occupancy sensors, LX photosensor control modules, and LX dry-contact contact interface modules. This power supply also features an LED indicator for power-on status and short-circuit, overload, and overvoltage protection support.



LXPWRSPLY

SPECIFICATIONS

AC input voltage range	<ul style="list-style-type: none"> • 120 VAC (100–240V), 50-60HZ • Line and Neutral Single Phase only
Output	• 24V; 0–1.5A
Tolerance:	• +/-1%
Efficiency	• 83%
DC adjustment range	• Rated output voltage: +/-10%
Overload protection	• 105%–160% constant current limiting; auto-recovery
Overvoltage protection	• Rated output voltage: 115%–135%
Setup; rise; hold-up time	• 100ms, 70ms, 100ms at full load and 132VAC
Withstand voltage	• I/P-O/P:3KVAC
Connection	<ul style="list-style-type: none"> • I/P: 2 poles • O/P: 4 poles screw DIN terminal
Dimensions	• 3.0” x 3.5” x 2.5”
Operating environment	<ul style="list-style-type: none"> • -4°–122°F (-20°–50°C) @100% load • 140° F (60° C) @ 80% load
Certifications	• UL60950-1; TUV EN60950-1
EMC	• EN55022 class B; EN61,000-3-2,3; EN61,000-6-2; EN61,000-4-2,3,4,5,6,8,11; ENV50204; EN61204-3
Warranty	• Five years



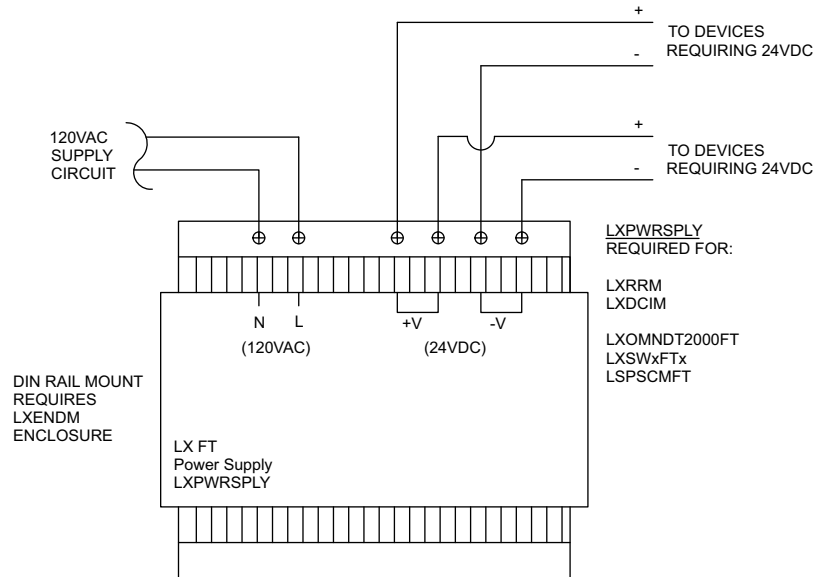
MODEL

LXPWRSPLY LX Power Supply

APPLICATION NOTES

- The LXPWRSLPY Power Supply is used to provide 24 VAC power “FT” style LX Network devices. The maximum recommended number of devices for each power supply is 4 within a maximum wire distance of 50 feet. This device is DIN rail mounted.
- The LXPWRSLPY requires a 120 VAC hardwire connection.
- The LXPWRSLPY is also used to supply power to the LXRRM Repeater.
- All LX network segments require termination. The LXTERMINATOR provides network termination when LXLPM2 Link Power Modules are not in use.
- The LXENDM DIN Rail Enclosure is a convenient way to mount various DIN Rail mounting network devices such as LXLPM2 or LXDCIM.

WIRING DIAGRAM



Building Automation, Inc.

Hubbell Building Automation, Inc.
 9601 Dessau Road | Building One | Austin, Texas 78754
 {512} 450-1100 | {512} 450-1215 fax
hubbell-automation.com