



LX Series – Networked Lighting Controls UL 924 Enclosed 20 Amp SPDT Bypass Relays

KEY FEATURES

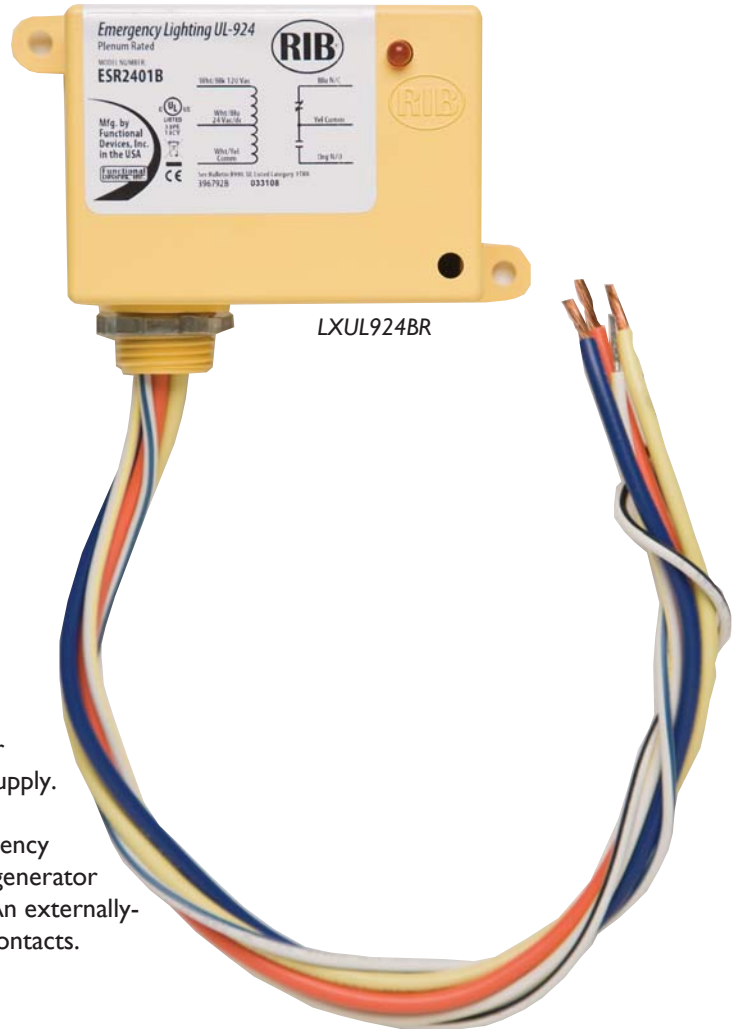
- 20 Amp 120/277 VAC SPDT Relay
- Available with either 24 VAC/DC/120 VAC Coil or 24 VAC/DC/208-277 VAC Coil
- LED status indicator
- N/O isolated contacts
- UL and cUL listed

OVERVIEW

Hubbell Building Automation’s Enclosed 20 Amp SPDT UL 924 Bypass Relays from Functional Devices, Inc. provide an isolated N.C. contact that can be used to provide bypass shunt to power emergency egress lighting directly from the emergency generator source. The coil in these relays is powered by a normal power supply. When the loss of commercial power occurs the contact returns to its Normally Closed state and bypasses controls to the emergency egress lighting. These fixtures will remain connected directly to generator emergency source until transfer back to normal power occurs. An externally-visible LED indicates the generator power source status of the contacts.

SPECIFICATIONS

# Relays & Contact Type	• One (1) SPST Continuous Duty Coil
Expected Relay Life	• 10 million cycles minimum mechanical
Gold Flash	• No
Contact Ratings	<ul style="list-style-type: none"> • 20 Amp Resistive @ 277 VAC • 20 Amp Ballast N/O @ 120/277 VAC • 10 Amp Ballast N/C @ 120/277 VAC • 10 Amp Tungsten @ 120 VAC • 770 VA Pilot Duty @ 120 VAC • 1110 VA Pilot Duty @ 277 VAC • 2 HP @ 277 VAC • 1 HP @ 120 VAC



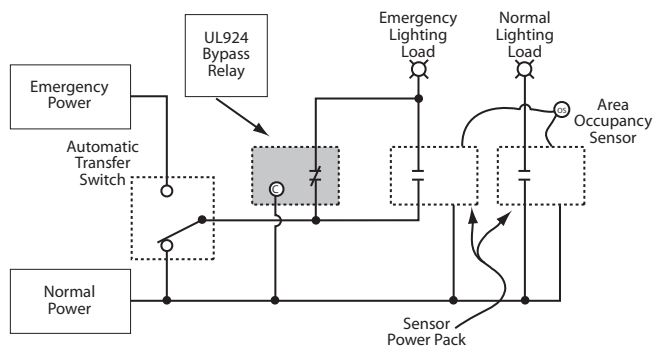
LXUL924BR

Coil Current	<ul style="list-style-type: none"> • 45 mA @ 18 VAC • 75 mA @ 24 VAC • 42 mA @ 120 VAC • 62 mA @ 208-277 VAC 	<ul style="list-style-type: none"> 30 mA @ 22 VDC 32 mA @ 24 VDC 42 mA @ 30 VDC
Coil Voltage Input	<ul style="list-style-type: none"> • LX924BR1: 24 VAC/DC, 120 VAC; 50-60Hz • LX924BR2: 24 VAC/DC, 208-277 VAC; 50-60Hz • Drop Out = 2.1 VAC / 3.8 VDC • Pull In = 18 VAC / 22 VDC 	
Operating environment	<ul style="list-style-type: none"> • -30° to 140°F 	
Dimensions	<ul style="list-style-type: none"> • 2.3" x 3.2" x 1.8" with 0.5 " NPT nipple 	
Housing Rating	<ul style="list-style-type: none"> • Plenum, NEMA I 	
Wires	<ul style="list-style-type: none"> • 16", 600V Rated 	
Certifications	<ul style="list-style-type: none"> • UL and cUL Listed, UL924, UL916, UL864, California State Fire Marshal, CE 	
Warranty	<ul style="list-style-type: none"> • Five year 	

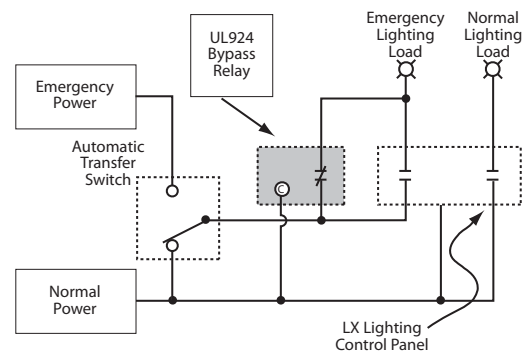
ORDERING INFORMATION

MODEL	
LXUL924BR1	LX UL924 Enclosed Relay 20 Amp SPDT with 24 VAC/DC/120 VAC Coil
LXUL924BR2	LX UL924 Enclosed Relay 20 Amp SPDT with 24 VAC/DC/208-277 VAC Coil

WIRING DIAGRAMS



FOR USE WITH STAND ALONE AREA OCCUPANCY SENSORS



FOR USE WITH LX LIGHTING CONTROL PANEL RELAYS

UL924 RELAY OPERATION: When normal power is applied to the relay coil, the contacts are held in the open position. Upon loss of normal power, the UL924 relay shunts mechanically closed to supply emergency power to the lighting load.



Building Automation, Inc.

Hubbell Building Automation, Inc.
 9601 Dessau Road | Building One | Austin, Texas 78754
 {512} 450-1100 | {512} 450-1215 fax
hubbell-automation.com