



## Wireless Lighting Controls wiHUBB™ In-fixture Module



### KEY FEATURES

- Single or dual relay versions for On/Off or High/Low control
- Optional 0 – 10VDC interface for full range dimming control
- Device intelligently and automatically responds to sensors and switches in the most energy-efficient manner
- Schedules are held in the devices themselves – no need for a master scheduling device
- Monitors, measures, and records energy consumption and runtime data
- Retains data during power outages
- Robust & reliable 900MHz wireless self-organizing and self-healing mesh network
- Future-proof design – firmware updateable over the air
- Multiple antenna options available
- FCC certified
- Five-year limited warranty



WIH-IM-2RD-1277

### OVERVIEW

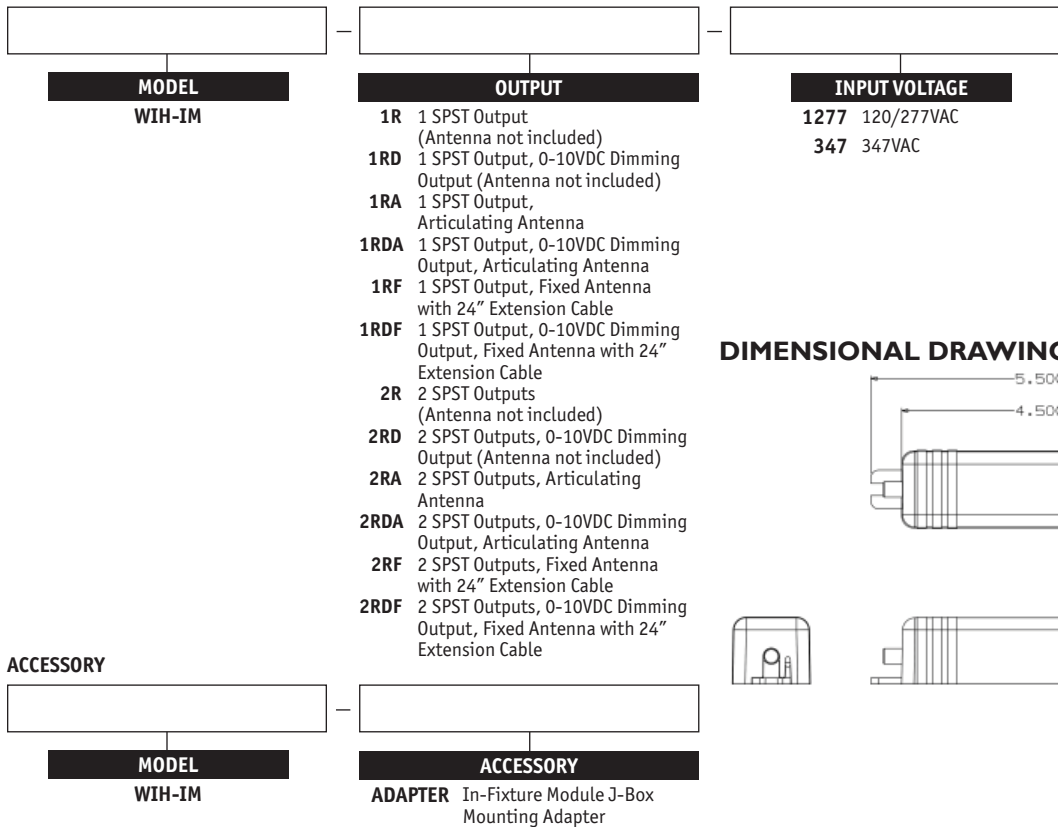
Hubbell Building Automation’s wiHUBB™ In-Fixture Module (IFM) is a self-contained intelligent wireless control module. It contains either one or two independently-controlled outputs. The two-output version can be used for High/Low or alternate ballast switching. An optional 0-10VDC output is also available for full-range dimming control of dimmable ballasts and LED drivers. Each wiHUBB IFM can control one or more fixtures and can be individually controlled or grouped with other wiHUBB devices. The wiHUBB IFM communicates securely via 900MHz radio frequency to other devices within the wiHUBB wireless self-organizing and self-healing mesh network using 128-bit Advance Encryption Standard (AES-128).

### SPECIFICATIONS

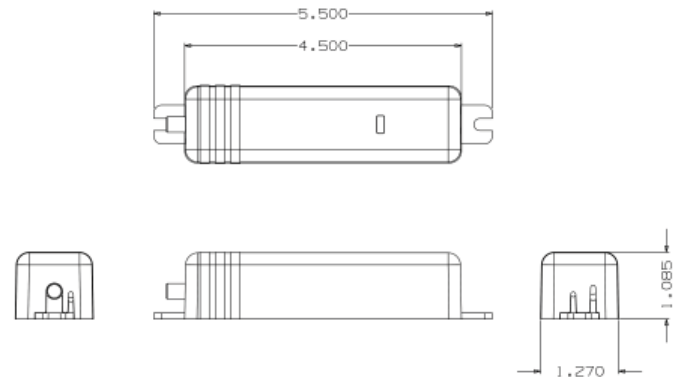
|                                    |  |
|------------------------------------|--|
| Electrical Ratings (-1277 version) | <ul style="list-style-type: none"> <li>• Input: 120-277VAC, 10A Max, 60Hz</li> <li>• Output: 10A, Tungsten, 120VAC only<br/>10A, Magnetic Ballast<br/>5A, Electronic Ballast (max each relay)<br/>¼ H.P. Motor, 120 &amp; 277VAC<br/>For (2) relay models the maximum combined output of both relays: 10A</li> </ul> |
| Electrical Ratings (-347 version)  | <ul style="list-style-type: none"> <li>• Input: 347VAC, 10A Max, 60Hz</li> <li>• Output: 10A, Ballast<br/>For (2) relay models the maximum combined output of both relays: 10A</li> </ul>  |
| Optional Dimming Interface         | <ul style="list-style-type: none"> <li>• 0-10VDC, 30mA output</li> <li>• For use with low-voltage, two-wire dimming ballast and LED drivers.</li> </ul>  |
| RF Frequency                       | <ul style="list-style-type: none"> <li>• 902 - 928MHz</li> <li>• Wireless Peer-To-Peer, Self-Organizing and Self-Healing Mesh Network</li> <li>• Advanced Encryption Standard AES-128 Security</li> <li>• Spread Spectrum Frequency Hopping</li> </ul>   |
| RF Range                           | <ul style="list-style-type: none"> <li>• Supported distance between wireless devices: 100 meters (328 feet)</li> <li>• Maximum Transmission Output Power: +20 dBm</li> <li>• Maximum Receive Sensitivity: -118 dBm</li> </ul>  |
| Operating Environment              | <ul style="list-style-type: none"> <li>• Operating Temperature: -40°C to +90°C</li> <li>• Relative humidity (non-condensing): 0 – 95%</li> </ul>   |

|                 |  |
|-----------------|--|
| Construction    | • Housing: GSM UL Rated 94 HB Plastic  |
| Size and Weight | • Size: 5.50"L x 1.27"W x 1.08"H<br>• Weight: 4 oz   |
| Color           | • Gray   |
| Mounting        | • Mounts inside fixture ballast cavity or housing<br>• Optional mounting adaptor available (p/n WIH-IM-ADAPTER) for external junction box mounting |
| Patents         | • Patent(s) Pending  |
| Certifications  | • Conforms with UL916 and Certified to CAN/CSA C22.2 No. 205-M1983<br>• FCC Certified<br>• IC Approved   |
| Warranty        | • Five-year limited  |

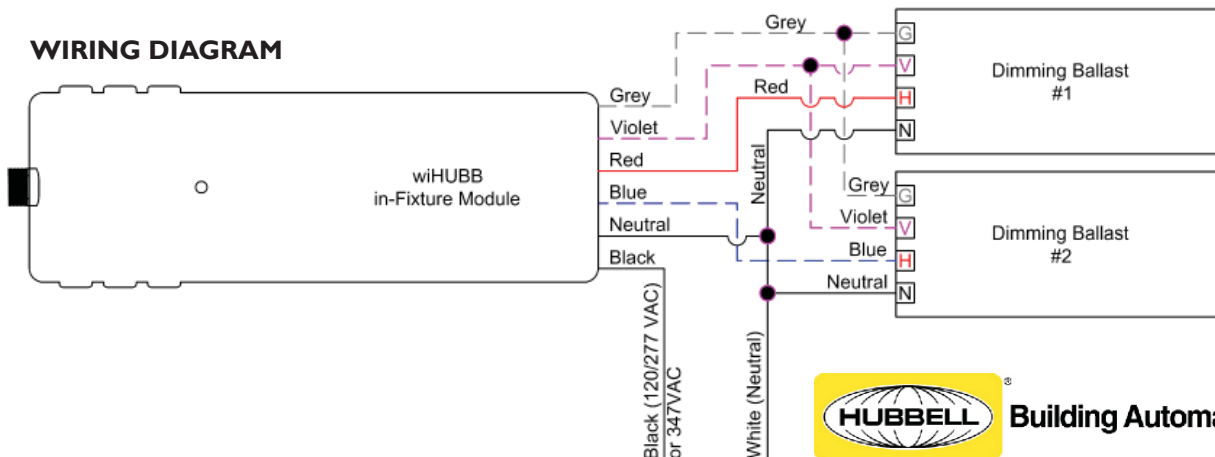
## HOW TO ORDER



## DIMENSIONAL DRAWINGS



## WIRING DIAGRAM



**Hubbell Building Automation, Inc.**  
9601 Dessau Road | Building One | Austin, Texas 78754  
{512} 450-1100 | {512} 450-1215 fax  
hubbell-automation.com