



## Wireless Lighting Controls *wiHUBB™ On-fixture Module*



### KEY FEATURES

- On/Off outdoor lighting control
- Compatible with all lighting loads including LED drivers
- Integrated daylight sensor
- Schedules are held in the devices themselves –no need for a master scheduling device
- Monitors, measures, and records energy consumption and runtime data
- Retains data during power outages
- Robust & reliable 900MHz wireless self-organizing and self-healing mesh network
- Future-proof design – firmware updateable over the air
- FCC certified
- Five-year limited warranty



WIH-OM-UNV

### OVERVIEW

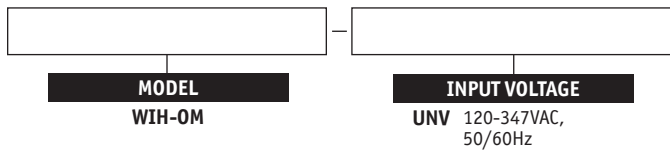
Hubbell Building Automation’s wiHUBB™ On-Fixture Module (OFM) is a self-contained intelligent wireless control module that provides On/Off lighting control for outdoor fixtures. Each OFM contains an integrated daylight sensor that can be used to turn lighting ON or OFF based on the amount of natural light available. Each wiHUBB On-Fixture Module can be individually controlled or grouped with other wiHUBB devices. The wiHUBB OFM communicates securely via 900MHz radio frequency to other devices within the wiHUBB wireless self-healing mesh network.

### SPECIFICATIONS

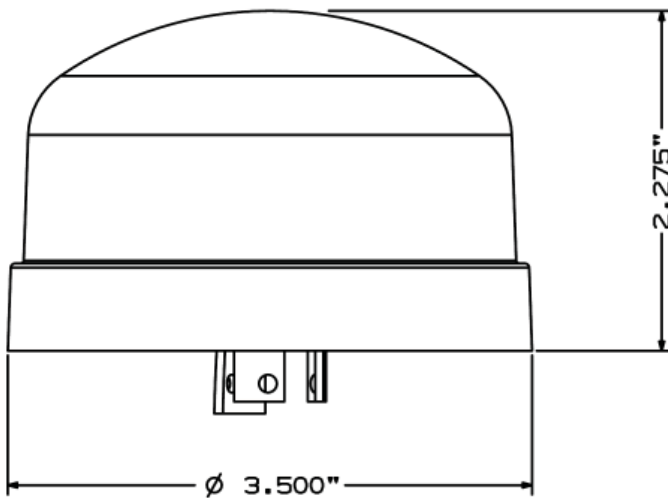
Electrical Ratings	<ul style="list-style-type: none"> <li>• Input: 120-347VAC, 50/60Hz</li> <li>• Output: 20A, Tungsten, 120VAC only 20A, Magnetic and Electronic Ballast</li> </ul>
RF Frequency	<ul style="list-style-type: none"> <li>• 902 - 928MHz</li> <li>• Wireless Peer-To-Peer, Self-Organizing and Self-Healing Mesh Network</li> <li>• Advanced Encryption Standard AES-128 Security</li> <li>• Spread Spectrum Frequency Hopping</li> </ul>
RF Range	<ul style="list-style-type: none"> <li>• Supported distance between wireless devices: 100 meters (328 feet)</li> <li>• Maximum Transmission Output Power: +20 dBm</li> <li>• Maximum Receive Sensitivity: -118 dBm</li> </ul>
Daylight Sensor	<ul style="list-style-type: none"> <li>• 0.5 FC – 50 FC</li> </ul>
Operating Environment	<ul style="list-style-type: none"> <li>• Operating Temperature: -40°C to +90°C</li> </ul>
Construction	<ul style="list-style-type: none"> <li>• Housing: GSM UL Rated 94 HB Plastic</li> </ul>
Size and Weight	<ul style="list-style-type: none"> <li>• Size: 3.50”D x 2.275”H</li> <li>• Weight: 4 oz</li> </ul>

Color	• Smoked Plastic Housing
Mounting	• Standard twist lock photo-sensor receptacle
Patents	• Patent(s) Pending
Certifications	• Conforms with UL916 and Certified to CAN/CSA C22.2 No. 61010-1-04 • FCC Certified • IC Approved
Warranty	• Five-year limited

## HOW TO ORDER



## DIMENSIONAL DRAWING



**Building Automation, Inc.**

**Hubbell Building Automation, Inc.**  
9601 Dessau Road | Building One | Austin, Texas 78754  
{512} 450-1100 | {512} 450-1215 fax  
[hubbell-automation.com](http://hubbell-automation.com)