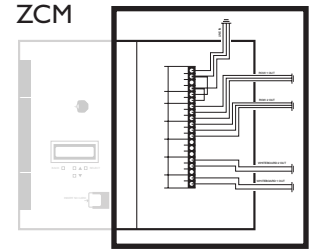


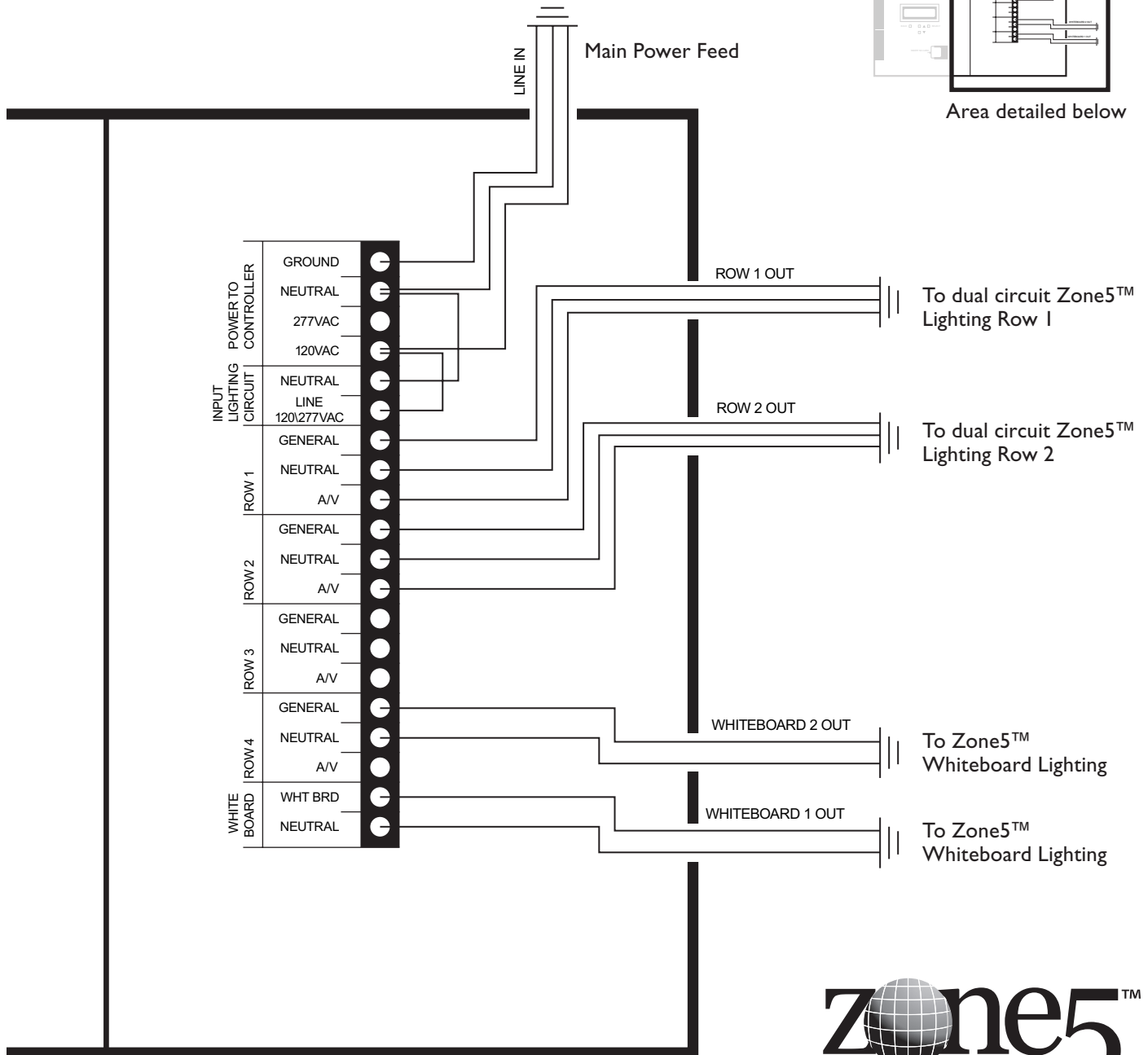


# 2 ROWS, 2WBD 277V

## Control Module (ZCM) Wiring Diagrams: Line Voltage



Area detailed below



**PRECAUTION:** Installation must be performed by qualified professional electrician in accordance with all local, state and national codes.