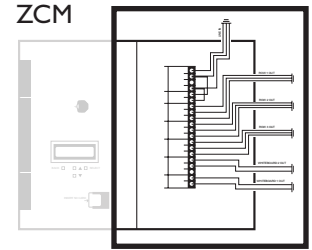


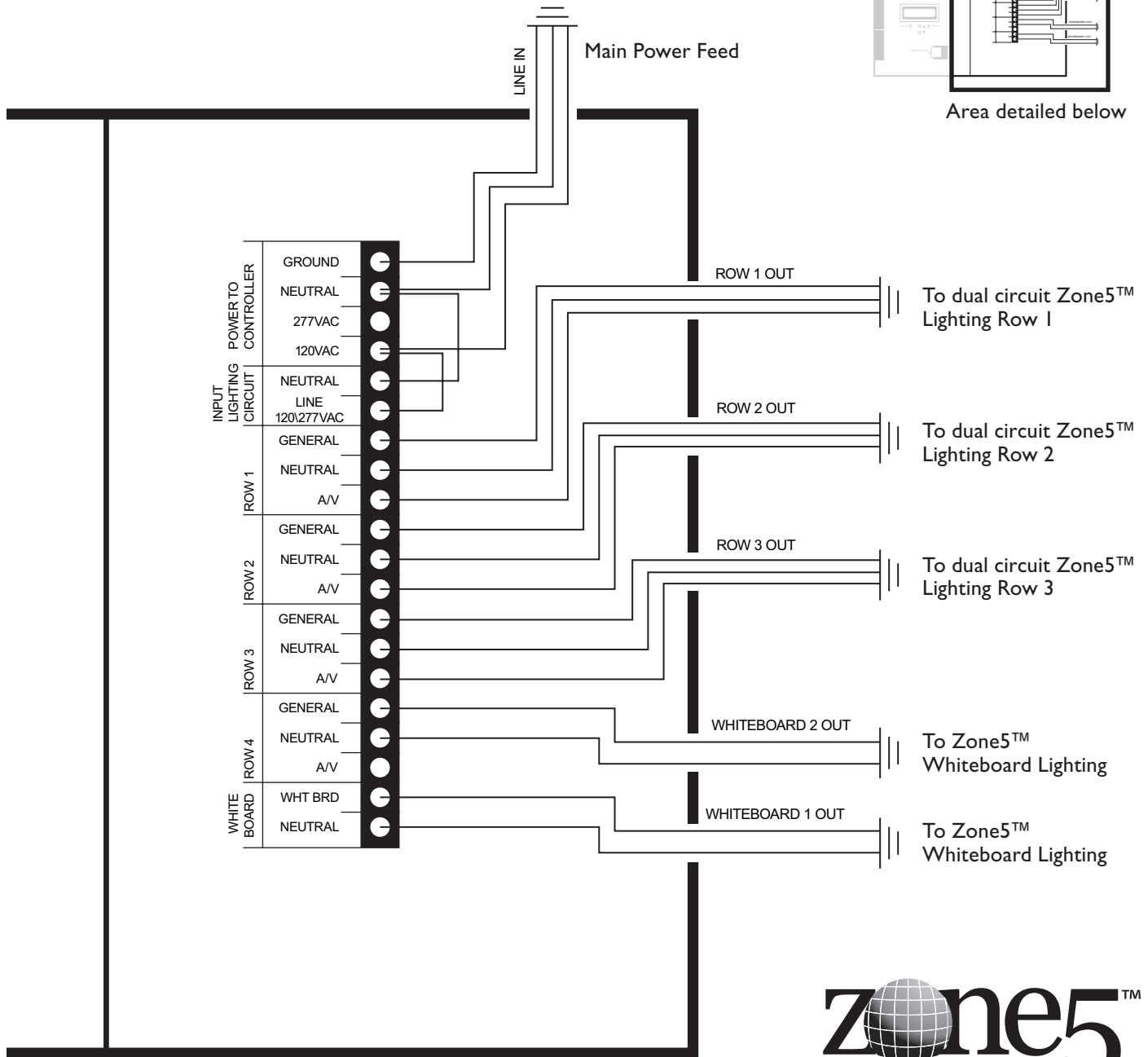


3 ROWS, 2WBD 277V

Control Module (ZCM) Wiring Diagrams: Line Voltage



Area detailed below



PRECAUTION: Installation must be performed by qualified professional electrician in accordance with all local, state and national codes.

