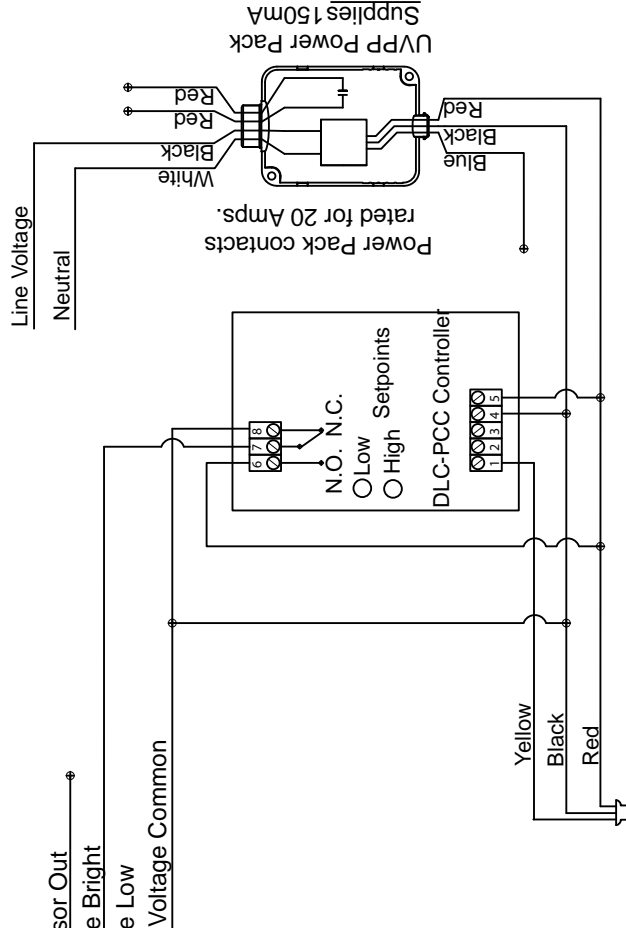


Jumper installed at each G2 unit.

**On Start-up, lamp will warm up for 15 minutes on Bright before responding to Force Bright or Force Low commands.**



**Notes:**

1. Multiple fixtures with common switched control.
2. Order G2-LB-x with optional -EXTP1 port.
3. Force lights Bright or Low through DLC-PCC.
4. No Occupancy-based condition.

DLC-PC-x Photo Sensor (3-wire)

**G2 / EXTP1 DLC-PCC High / Low**



**Building Automation, Inc.**

**internal note: G2 / EXTP1 - Force High/Force Low can control ~100 fixtures if wired cleanly**